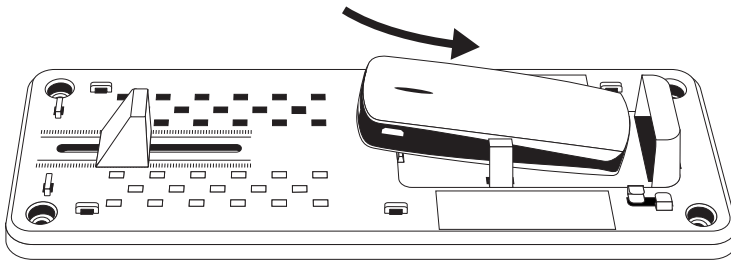


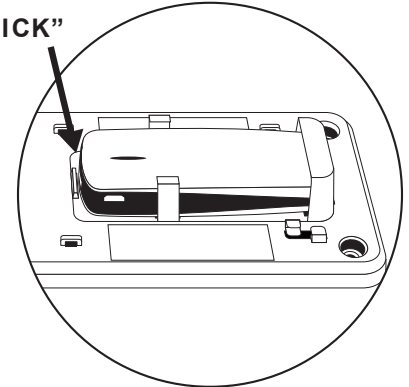
GNCI MRM X1100 Gateway and Modem Mounting Bracket

Installation Instructions

1.

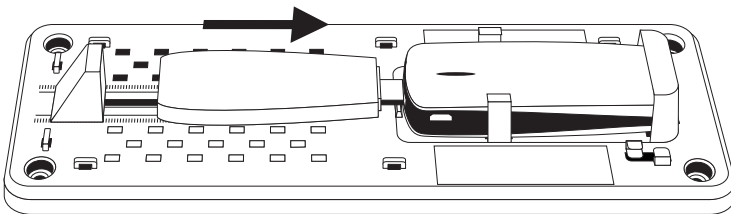


“CLICK”



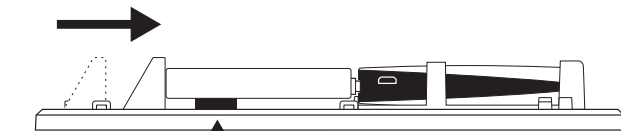
Slide the MRM X1100 Gateway into the mounting bracket. Ensure it clicks into place.

2.



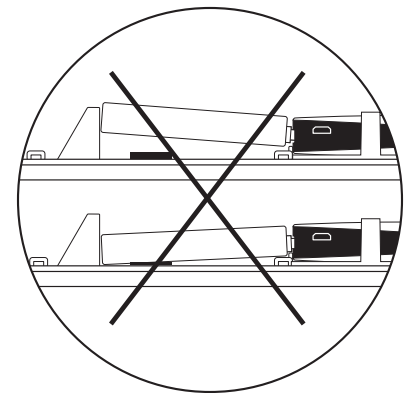
Slide the USB modem into the MRM X1100 Gateway's USB port.

3.

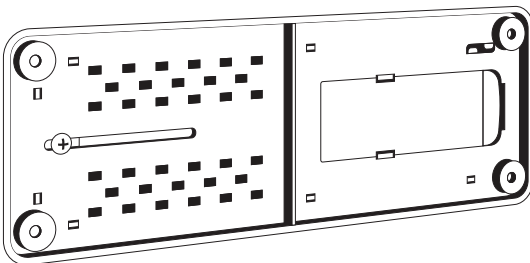


- Slide the end-stop piece firmly against the USB modem.
- Use the supplied foam pads to adjust the height of the USB modem so that it sits level with the router. Use multiple foam pads if required.

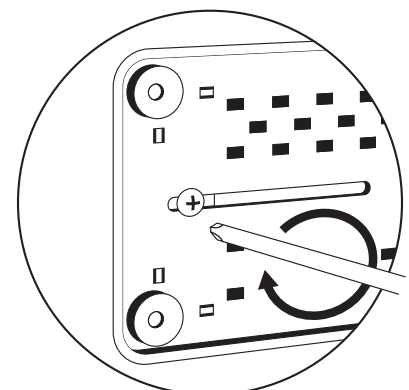
This kit contains foam pads of the following thicknesses:
2x 1.5 mm, 2x 3 mm, 1x 6 mm



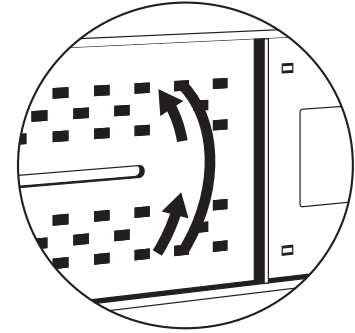
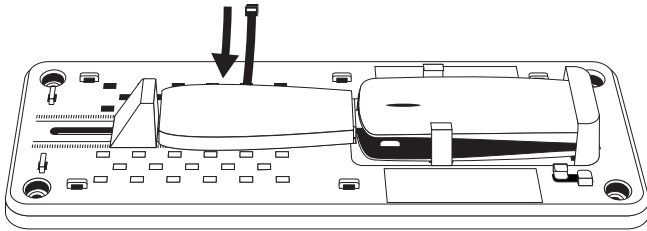
4.



- Turn the mounting bracket bottom-side up.
- Insert and tighten the supplied screw into the end-stop piece. This will ensure the USB modem stays in place.

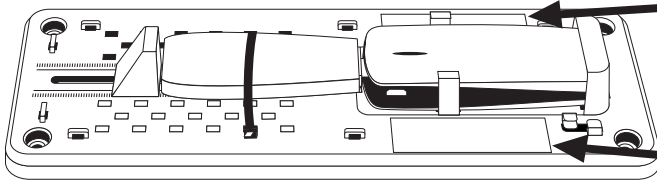


5.



- a. Insert the 8" cable tie through the holes in the mounting bracket and tie down the USB modem.
- b. Cut off any excess length. Do not over tighten!

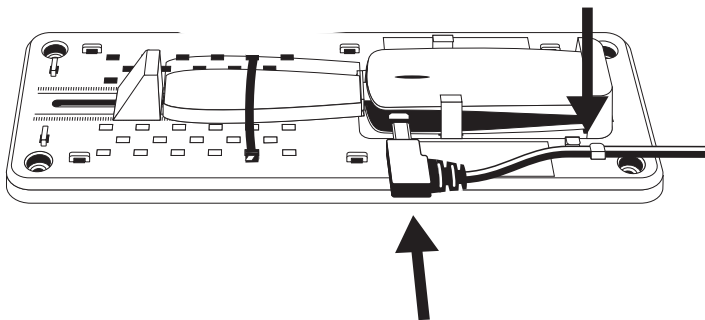
6.



IP-Addr:
Hostname:
Contact:
Asset-ID:

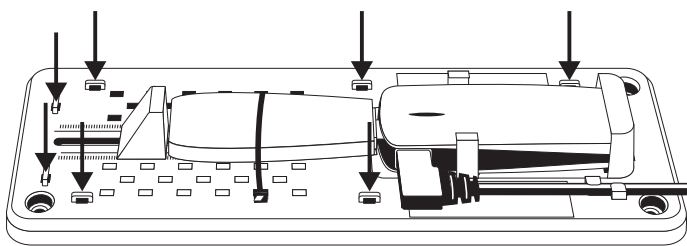
Attach the optional stickers.

7.



Insert the supplied Micro-USB power cable into the MRM X1100 Gateway's DC power jack and feed the cable through the strain relief on the mounting bracket as shown.

8.



If your installation requires an external antenna, use the supplied 4" cable ties to fasten the antenna cable to any of the 7 loops on the mounting bracket.

9.

- The mounting bracket kit includes:
- 2 drywall screws and anchors
 - 2 wood screws
 - 4 rubber feet

Use the appropriate mounting hardware to secure the mounting bracket to the wall, cabinet or other surface.

